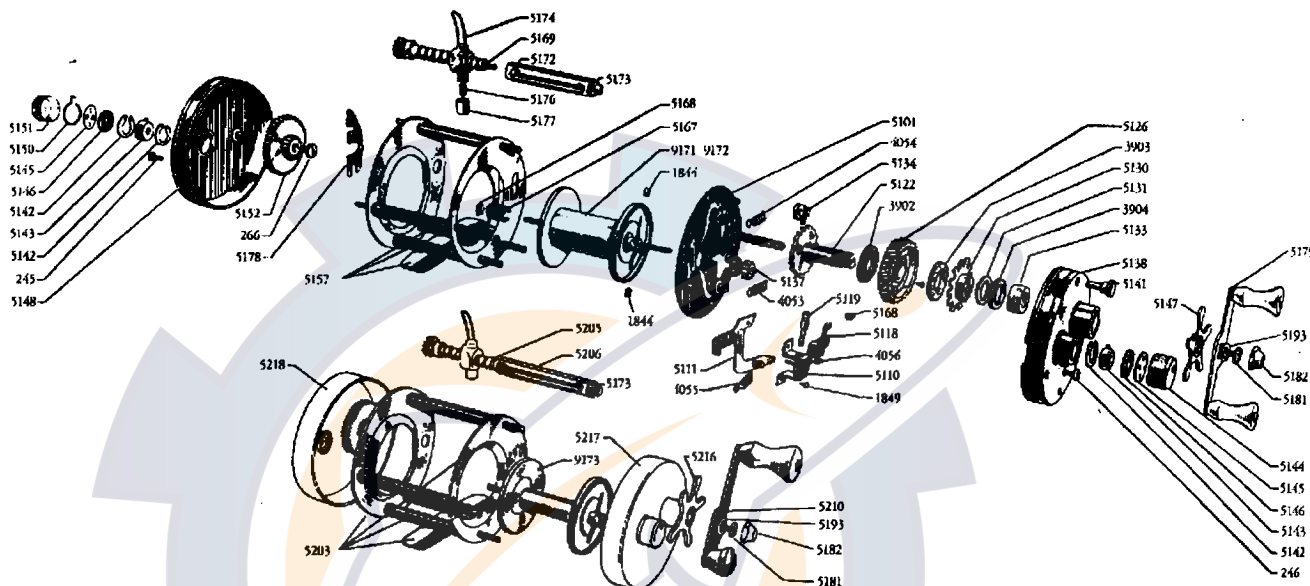


# Garcia

## AMBASSADEUR 5000-6000



No.	Part Name	Price	No.	Part Name	Price	No.	Part Name	Price
245	Pillar screw—2mm .....	.05	5133	Nylon bearing .....	.20	5178	Locking washer for #5169 and #5205 .....	.10
246	Bridge screw—2.6mm .....	.05	5134	Anti-reverse dog .....	.50	5179	Handle, complete (5000-5000A).....	1.75
266	Cog wheel shaft screw .....	.05	5137	Right pinion .....	.65	5181	Handle shaft screw .....	.10
1844A	Brake block—small .....	.05	5138	Right housing plate (5000-5000A)..	4.00	5182	Handle nut .....	.50
1844B	Brake block—medium .....	.05	5141	Housing plate anchor screw .....	.25	5193	Shim between #5179 and #5181....	.10
1844C	Brake block—large .....	.05	5142	Locking washer for #5143 .....	.05	5203	Frame (6000) .....	8.25
1849	Rivet for #5110 .....	.05	5143	Spool shaft bearing .....	.80	5205	Line carriage screw (6000) .....	2.25
3902	Drag washer .....	.05	5144	Right spool cap .....	1.00	5206	Carriage screw guard (6000) .....	1.50
3903	Drag washer .....	.05	5145	Base washer .....	.05	5210	Handle, complete (6000) .....	2.25
3904	Spacing washer.....	.10	5146	Felt packing .....	.05	5216	Star wheel (6000) .....	1.75
4053	Locking arm coil spring .....	.10	5147	Star wheel (5000-5000A) .....	1.50	5217	Right housing plate (6000) .....	4.00
4054	Locking arm coil spring .....	.10	5148	Left housing plate (5000-5000A) ...	3.25	5218	Left housing plate (6000) .....	3.50
4055	Coil spring for #5111 .....	.10	5150	Brake pointer .....	.10	9171**	Spool with container, small capacity (5000-5000A) .....	5.75
4056	Coil spring for #5118 .....	.05	5151	Left spool cap .....	1.00	9172**	Spool with container, large capacity (5000-5000A) .....	5.75
5101	Brake plate, complete .....	7.00	5152	Cog wheel .....	1.00	9173	Spool with container, extra large capacity (6000) .....	6.75
5110	Clamp .....	.15	5157	Frame (5000-5000A).....	7.00			
5111	Press arm .....	1.00	5167	Left pinion .....	.55			
5118	Clutch .....	.20	5168	"C" lock .....	.05			
5119	Pin for #5118 .....	.10	5169	Carriage screw (5000-5000A) .....	2.00			
5122	Main gear bushing with ratchet wheel .....	1.50	5172	Carriage screw guard (5000-5000A) 1.50				
5126	Main gear with click spring.....	1.75	5173	Bearing for #5172 and #5206.....	.45			
5130	Click wheel .....	1.00	5174	Line carriage.....	1.75			
5131	Spring washer .....	.10	5176	Carriage pawl .....	.75			
			5177	Line carriage nut .....	.25			

\*\*Spool #9171 and #9172 are interchangeable in either the 5000 or 5000A.  
 Note: Except where otherwise noted, the same parts apply to the 5000, 5000A, and 6000.